

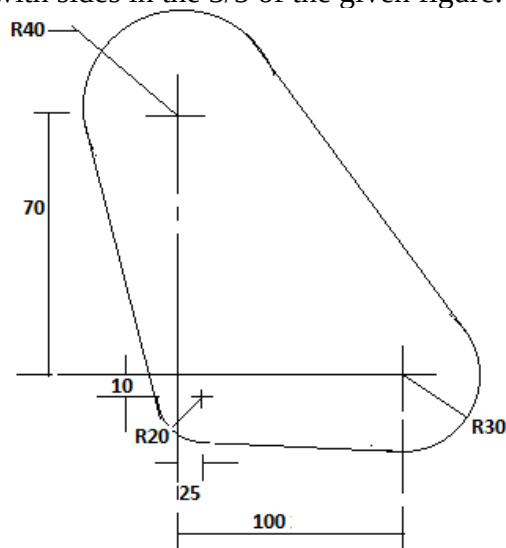
**SENIOR TWO
TECHINICAL DRAWING
TIME: 2HRS**

INSTRUCTIONS

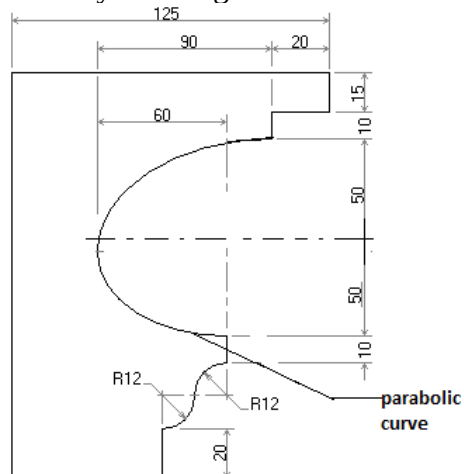
- Attempt any **four** questions.
- All questions should be done on the paper provided.
- Neatness is a **must**.
- At the bottom right hand corner of your paper, Draw a title block and on it indicate you Name, Class/Stream, Date and title.

SECTION A

1. Construct a triangle with base angles= $67\frac{1}{2}^\circ$, and 75° with an altitude= 75mm.
b) Transform the triangle to a square of equal area.
2. The figure shows a metal blank. Draw the blank full size showing clearly the constructional details.
b) Construct similar figure with sides in the $\frac{3}{5}$ of the given figure.

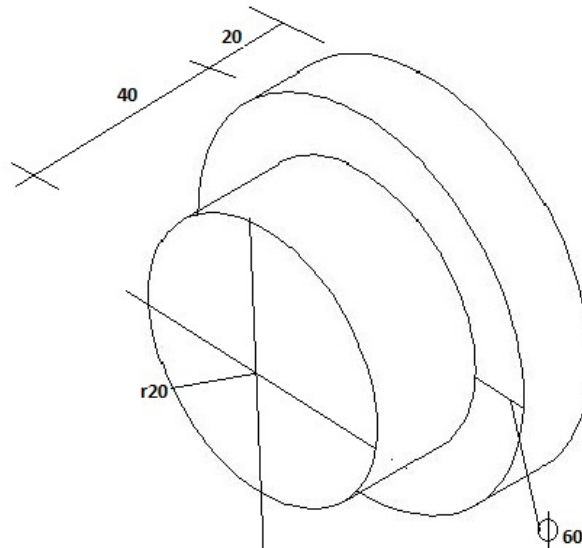


3. Construct the figure below accurately showing all the construction details.



SECTION B

4. Construct a conic section with its distance from the directrix to the focus=35mm and ratio of eccentricity=5:3 and name it.
 - b) At any point on the conic section Draw a tangent on to it.
5. The figure below shows a machine part, construct it accurately showing all the constructional details.



5. 6. Two orthographic views of a block are given. Construct the block in isometric projection having corner **x** as the lowest

